

HITZE

NATURAL HEATING

OPERATING AND INSTALLATION MANUAL

BIO-table IGNIS



**READ THE OPERATING AND INSTALLATION MANUAL
BEFORE FIRST USE**

Rev.:02 17-07-19

Dear Customer,

thank you for purchasing the Hitze biotable!

BEFORE THE VERY FIRST USE, PLEASE CAREFULLY READ THE FULL OPERATING AND INSTALLATION MANUAL AND CHECK THE COMPLETENESS OF THE PRODUCT.

The information contained in the *Operating and installation manual* ensure correct operation of the bio-table and help avoid any damages and accidents caused by improper use.

The bio-table has been thoroughly checked by the manufacturer in terms of both safety and functionality.

The bio-table is intended for decorative purposes only. Any other use is incompliant with the intended purpose and may be dangerous.

When using the bio-table we are dealing with an open flame. Heat emitted to the environment constitutes a side effect of the combustion process.

Store the *Operating and installation manual* in an easily-accessible place.

The manufacturer is not liable for damages resulting from incorrect use of the bio-table.

National and local regulations and standards must be observed for assembly, installation and operation of the product.

NOTE:

The device cannot be used by children.

Never leave children or animals unsupervised nearby the burning or just extinguished bio-table.

Danger of burns (bio-table elements may be very hot).

In order to improve the product, the Manufacturer reserves the right to introduce changes in drawings, photos and descriptions, as well as in the device's parameters without notice and at any time.

All or part of the *Operating and installation manual* may not be copied without consent of the Manufacturer. Keep the document out of the reach of children.

In the event of destruction, loss or damage of the *Operating and installation manual*, please refer to your point of sale or the Manufacturer to obtain a copy thereof, providing the device's identification data.

1. General information

1.1 Safety

Compliance with the following rules will enable proper operation of the bio-table and will help avoid damage and accidents caused by improper use.

1.1.1 To comply with the necessary safety rules, it is necessary to:

- read and understand the *Operating and installation manual* before assembling or conducting maintenance works on the bio-table;
- use the device in accordance with its intended purpose;
- **it is absolutely necessary to ensure adequate ventilation and air supply in the place where the bio-table is located;**
- place a clothes dryer and other objects at a distance of at least 1.5m from the bio-table (risk of fire);
- avoid direct contact with the bio-container and glass cover (the device gets hot during exploitation), and if necessary use appropriate protective measures (clothing, heat-resistant gloves);
- in the event of any difficulties, contact the point of sale or the Manufacturer (in the event of repair, request original spare parts);
- attach the document when selling or leasing the device.

The *Operating and installation manual* should be retained for future reference.

When using the bio-table, we are dealing with open flame.

Failure to comply with safety rules may result in fire, sudden ignition of the flame (explosion), or burns.

A bio-table that shows signs of use is not refundable.

IGNIS bio-table is available in two versions:

- **bio-table with no tabletop - basic version**
- **bio-table with glass tabletop**

1.1.2 Never:

- use the device in the event of any faults or irregularities;
- leave flammable materials less than 1m away from the bio-insert;
- burn waste.

1.1.3 Hitze is exempt from any civil and criminal liability in the event of:

- use of the bio-table not in accordance with hereby document;
- modification of the bio-table and unauthorized change of parts to non-original ones (such activities result in immediate expiration of the warranty);
- injuries and material losses caused by damage as a result of incorrect installation and incorrect maintenance (not in accordance with the *Operating and installation manual*).

2. Installation and safety

The bio-table is a decorative element in which bio-fuel is burned, which in turn results in heat emission.

It is required to place the bio-table away from flammable elements. There should be no flammable elements within the area marked in red in Figure 1.

Children and pets must not have access to the bio-table.

Observe local fire safety regulations during installation.

The bio-table should be placed on an even, hard surface so as to prevent overturning.

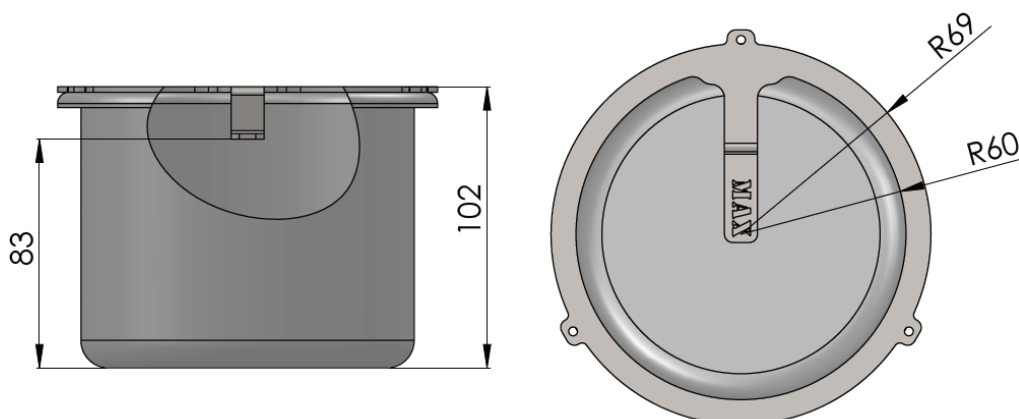
Ensure adequate ventilation of the room where the bio-table is located.

The bio-table should be assembled in accordance with Appendix 1.

In the case of a bio-table in the basic version - without a tabletop, the assembly should be carried out in accordance with Appendix 1, section 3.

3. Technical data

Bio-container: capacity 0,8l, weight 0,32kg, weight of bio-table with top 22kg.



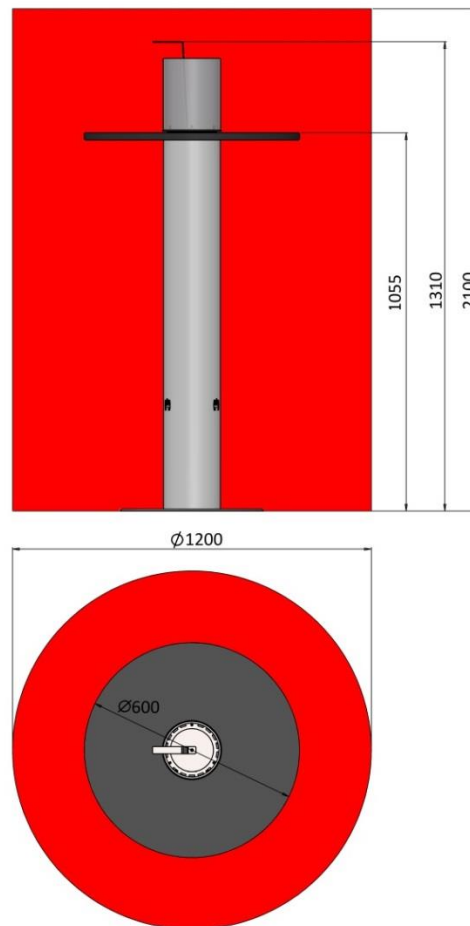


Figure 1. Zones free of flammable objects

4. Ignition and service

Only bio-alcohol based fuel intended for bio-fireplaces should be burned in the bio-table. It is forbidden to burn any other fuels and substances! Failure to follow the manual may result in fire, burns and damage to the bio-table. We recommend using Hitze bioethanol.

4.1 WARNINGS

Bio-inserts are not adapted to continuous operation. Do not:

- add bio-fuels to the burning bio-container (before adding bio-ethanol, make sure that the flame has gone out - to do this, cover the bio-fuel with a quencher);
- add bio-fuel to a heated bio-container (wait for a minimum of 30 minutes between expiration and subsequent ignition);
- put the bio-container, previously filled with bio-fuel, into the bio-table (always pour bio-fuel into an empty and cold bio-container);
- leave a burning bio-table without adult supervision;
- place flammable objects on the device;
- drink bio-ethanol.

It is forbidden to add bio-ethanol to a hot bio-container. This may cause an explosion and burns!

4.2 IGNITION MANUAL

The bio-table can be lit only by adults who are sober and comply with all safety rules. During the first ignition, pay attention to the tightness of the bio-container and take special care.

Before each refueling, make sure that the bio-fuel is cold!

In order to light the bio-table, it is necessary to:

- insert the empty bio-container into the bio-table;
- pour the bio-fuel gradually into bio-container, do not exceed the MAX level indicator;
- ignite with the help of long fireplace matches or igniters for gas cookers;
- install the protective glass (never place the protective glass before firing the bio-table - gas buildup will cause a sudden ignition).

4.3 QUENCHING MANUAL

We recommend:

- avoid forced flame extinguishing;
- wait until the bio-ethanol burns out completely and the flame goes out automatically (unburned bio-fuel can evaporate into the environment - it may ignite);
- after self-extinguishing (no flame), put the attached quencher on the bio-container for a minimum of 30 minutes (this action will cause quenching, cooling down and reduce evaporation of residual biofuel).

If you need to immediately extinguish the bio-table, you should absolutely:

- put on protective gloves;
- use the quencher supplied with the bio-table;
- not remove the protective glass;
- put the quencher with a flat, round part on the bio-container at the flame area;
- tightly cover the bio-container opening;
- allow the quencher to completely extinguish the flames and cool the bio-container (minimum 30 minutes).

5. Notes

5.1 Safety:

- when assembling and using the bio-table, follow the information included in hereby document;
- the bio-table should be placed on an even, hard surface so as to prevent overturning;
- intoxicated persons, children and animals should not be provided with access to the bio-table and bio-ethanol;
- only bio-fireplace fuel can be used for the bio-table. We recommend using Hitze bio-ethanol;
- follow the information found on the bio-ethanol label;
- adequate ventilation of the room must be ensured;
- any structural modifications are forbidden;

- the manufacturer is not liable for damages that occurred due to incorrect use of the bio-table;
- it is recommended to quench the bio-table by completely burning out the bio-ethanol (complete burning eliminates the risk of evaporation of bio-ethanol residues);
- in the event of forced quenching of the bio-table, follow the instructions in point 4.3;
- **avoid abrupt temperature changes and burning during adverse weather conditions such as: low temperatures, rain, wind etc. This can result in overturning of the bio-table and breaking of the glass cover.**

5.2 Risk of fire and burns:

- it is forbidden to leave the bio-table without adult supervision;
- it is forbidden to remove and touch the protective glass while the flame is burning (the protective glass reaches high temperature, which can cause serious burns);
- using fuels other than bio-ethanol is prohibited;
- do not touch or move the bio-table when it is lit or filled with bioethanol;
- always put an empty bio-ethanol bio-container into the bio-table (failure to do so may result in spillage of the bio-fuel);
- do not add bio-ethanol while the flame is burning or the bio-container is still hot;
- use a gas lighter or long fireplace matches for firing;
- **it is forbidden to quench the bio-table with water** (when quenching, follow the instructions in point 4);
- smoking, eating and drinking are prohibited while filling the bio-container;
- always store bio-ethanol in its original, sealed container, away from heat sources and open flame;
- do not expose bio-ethanol directly to sunlight;
- keep a suitable extinguishing agent nearby the bio-table;
- do not touch the glass housing and bio-container components when it is hot and immediately after it is extinguished (direct contact may cause serious burns);
- before refilling the bio-fuel, make sure that the bio-table has cooled down completely;
- do not lean on the bio-table;
- do not place objects that may result in overturning;
- do not place the bio-table in places where it might be exposed to overturning;
- in the event of overturning of the bio-table, bio-fuel and fire may spill out. In this case, follow the instructions given in point 5.3.

It is forbidden to add bio-ethanol to hot bio-container. This may cause an explosion and burns!

5.3 Procedure in case of fire:

- **DO NOT USE WATER** as an extinguishing agent (water will intensify the fire);
- use a fire extinguisher the composition of which allows quenching of alcohol, or a fire blanket;
- in the absence of the indicated extinguishing agents, cover the fire source with a thick layer of non-combustible material, e.g. curtain, blanket, quilt (this will reduce oxygen access to the fire source and extinguish the flames).

6. Warranty

- the manufacturer grants a 24-month warranty for the correct operation of the bio-table, with the exclusion of mechanical damage to the coating;

- in order to lodge a complaint, the Buyer should send a completed warranty form (available on the seller's website) at e-mail address: handlowy@hitze.pl, or submit a written complaint along with the Warranty Card and proof of purchase;
- if the complaint is considered justified, the manufacturer has 14 working days to repair the bio-table. This period may be extended if it is necessary to wait for spare parts or other circumstances beyond the manufacturer's control;
- the buyer is obliged to read and follow these *Operating and installation manual*;
- failure to comply hereby document will void the warranty;
- upon delivery, it is the Customer's responsibility to check the condition of the package and its packaging. If the parcel was damaged during transport, it is the Customer's responsibility to draw up a Damage Report with the courier. This should be done in the presence of the courier on the day of delivery.

7. Pictograms



- Refueling of bio-fuel during operation is prohibited

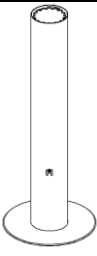




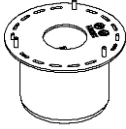
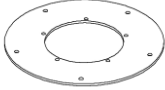
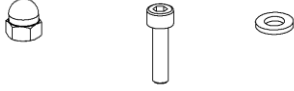

- Do not refill the bio-fuel unless the device has cooled down.



- Please read hereby manual before installing or conducting maintenance works on the bio-insert

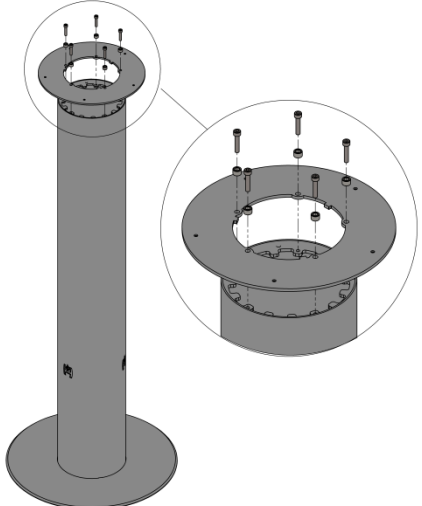
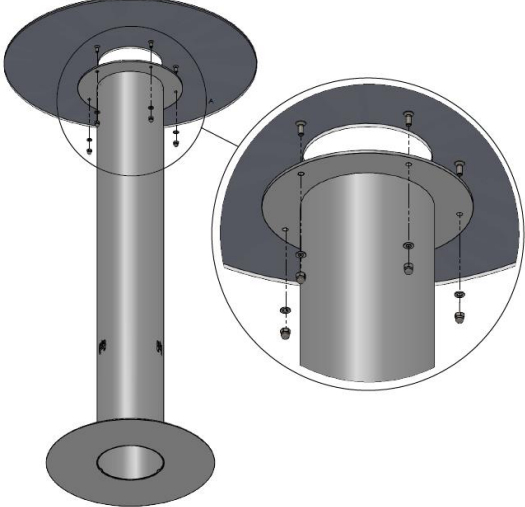
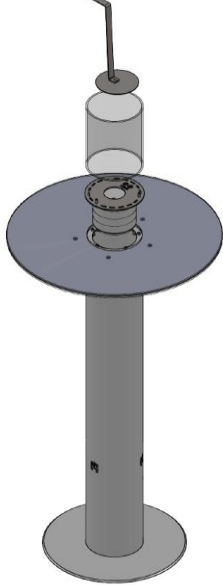
Table 1. List of components of IGNIS bio-table

1.		bio-table base (leg)
----	---	----------------------

2.		quencher	
3.		glass cover	
4.		bio-container	
5.		glass top mounting plate	Applies to the glass top version
6.		5 x acorn nut 5 x silicone washer 5 x socket cap screw M5x25	
7.		glass top	

NOTE! The complete set includes items from 1 to 4 and, depending on the version, items 5 to 7.

Appendix no. 1 Installation of IGNIS bio-table with a glass top

	<p>1. Place the mounting plate on the base of the bio-table and then screw it with five M5x25 socket screws and fi10x7 sleeves.</p>
	<p>2. Place the glass top on the mounting plate, then screw together with five acorn nuts with silicone washers.</p>
	<p>3. Place the empty bio-container in the gap of the bio-table base, and then cover with a glass cover and a quencher.</p>

WARRANTY CARD NO.

WARANTY SUBJECT NUMBER

DATE AND ELLIGIBLE SIGNATURE OF THE PERSON AUTHORIZED TO ISSUE THE WARRANTY DOCUMENT AND THE MANUFACTURER'S REPRESENTATIVE STAMP: HITZE SP.Z O.O. WITH HEADQUARTERS IN RADOM

Date of issue of the waranty document	Signature

HITZE Sp. z o.o. hereby grants a 24-month warranty on the purchased bio-table. The warranty covers only manufacturing defects. The manufacturer and distributor are not responsible for damages resulting from incorrect and improper use, mechanical damage, and natural wear of individual elements. Complaints are subject to verification by the manufacturer's service, which determines whether the defect or fault is attributable to the Buyer and/or is not subject to the exclusions referred to in the manual.

Complaint lodged by the Customer must be supported by a written statement sent at the e-mail address of the distributor from whom the product was purchased, with a description of the reason for which the product is subject to complaint, proof of purchase (receipt, invoice) and warranty card (photo, scan).

The warranty does not exclude, limit or suspend the Buyer's rights due to the Manufacturer's liability for physical defects of the Product to the extent specified by the Act of 23rd April 1964 - Civil Code (Journal of Laws of 1964 No. 16, item 93, as amended).